



TENDARS TECHNOLOGY CO.,LTD

ADD: No.13 Fuyi Road,Bang jiang xi Village,Shiji Town,Panyu District,Guangzhou,China.

Tel:+86-20-31360350

Website: www.tendars-tent.com

TENDARS ABOUT US 公司简介

广州腾达帐篷有限公司是国内专业的派对帐篷制造商，引进欧洲先进的铝和PVC结构帐篷技术融入我们自己的设计、销售和和生产。我们从小企业开始，拥有超过 10 年的生产经验，

现在已成为中国领先的透明跨度结构帐篷供应商之一。

如今，广州腾达帐篷有限公司已成为高品质透明跨度的顶级生产商之一结构篷房产品，如：活动篷房、派对篷房、天棚篷房、膜结构、圆顶帐篷，弧形帐篷，曲线帐篷，桁架，舞台等。我们的公司理念：“质量第一，勇于创新开拓、进取、持续创新、诚信工作”，这是我们腾达帐篷公司不变的信念。



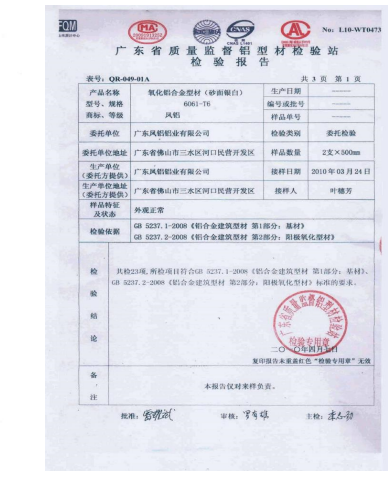
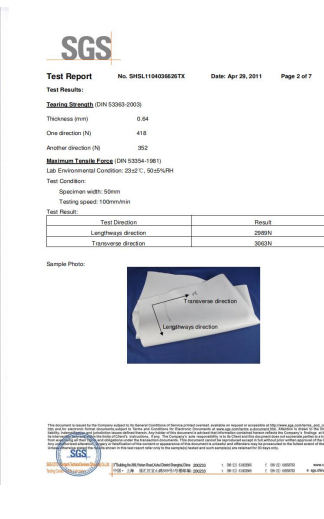
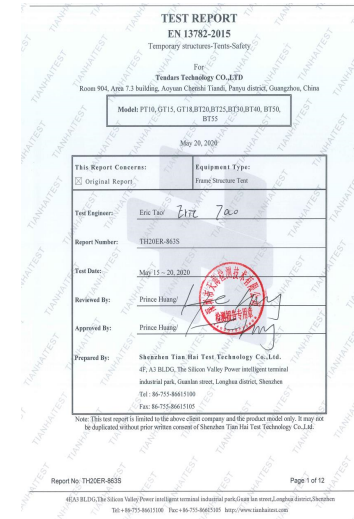
Tendars technology Co.,Ltd is the professional party tent manufacturer in China who introduced European advanced aluminum and PVC structure tents technology into our own design, selling and manufacture. We start as a small operation, with more than 10 years production experience,

Now we have become one of the leading clear span structure tent supplier in China.

Today, Tendars technology Co.,Ltd has become one of the top producer of high quality of clear span structure tent products, such as: event tent, party tent, marquee tent, membrane structure, dome tent, arcum tent, curve tent, truss, stage etc.. Our company philosophy: " quality first, brave in exploitation, forge ahead, continuous innovation, work integrity" , this is constant belief in our Tendars tent company.

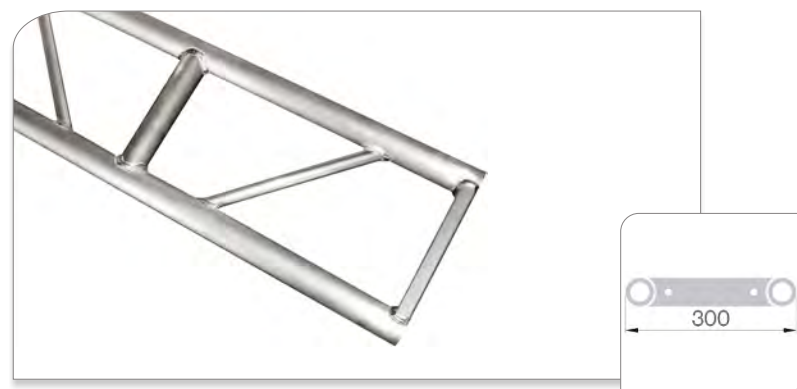


CERTIFICATION 资质证书



Aluminum truss(Screw truss) 铝合金灯架 (螺丝式)

► Y32



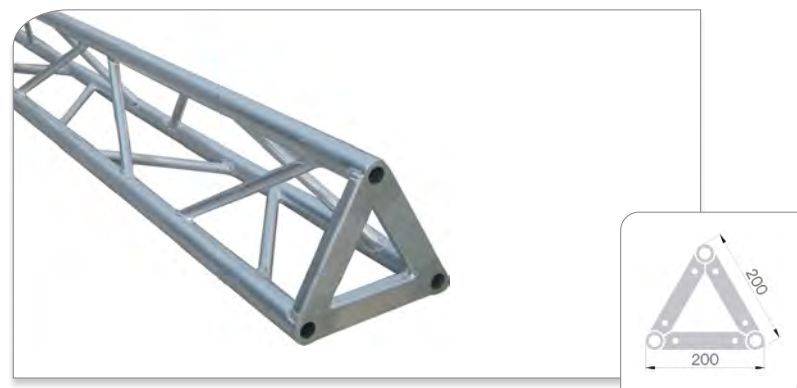
技术参数 Technical data

外径/Outside Diameter:	300mm
外管/Outside Tubing:	50mm
管壁厚度/Wall Thickness:	3mm
支撑/Bracing:	1 in
材料/Material:	T6061-T6 T6082-T6

型号/Model	描述/Description	
SQ-Y32-0.5	1.64ft (0.5m)	小方段 Mini Square Segment
SQ-Y32-1.0	3.28ft (1.0m)	
SQ-Y32-1.5	4.92ft (1.5m)	
SQ-Y32-2.0	6.56ft (2.0m)	
SQ-Y32-2.5	8.20ft (2.5m)	
SQ-Y32-3.0	9.84ft (3.0m)	

跨度/Span		均布荷载/Uniformly Distributed Load		中心点承重/Center Point Allowable Loading		下沉/Deflection	
M	ft	kg/m	lbs/ft	kg	lbs	mm	inch
1	3.3	772.7	519.3	762.6	1681.2	1	0.04
2	6.6	302.3	203.1	328.5	724.2	3	0.12
3	9.8	107.2	72.0	163.5	360.3	5	0.20
4	13.1	41.2	27.7	84.2	185.5	10	0.39
5	16.4	17.9	12.0	46.1	101.6	18	0.71
6	19.7	8.4	5.7	26.6	58.6	25	0.98

► Y23



技术参数 Technical data

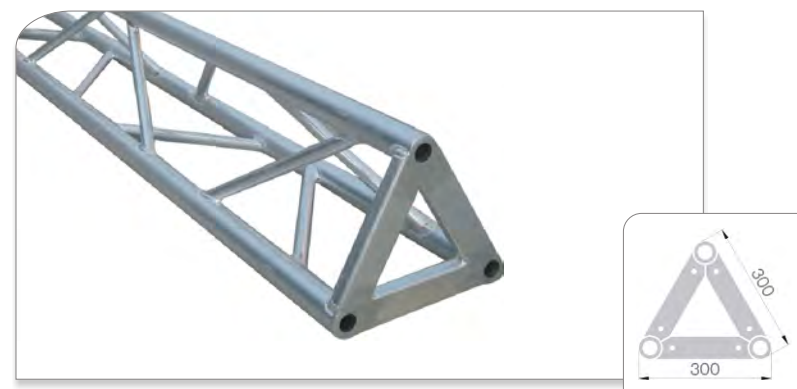
外径/Outside Diameter:	200mm
外管/Outside Tubing:	30mm
管壁厚度/Wall Thickness:	2mm
支撑/Bracing:	1 in
材料/Material:	T6061-T6 T6082-T6

型号/Model	描述/Description	
SQ-Y23-0.5	1.64ft (0.5m)	小方段 Mini Square Segment
SQ-Y23-1.0	3.28ft (1.0m)	
SQ-Y23-1.5	4.92ft (1.5m)	
SQ-Y23-2.0	6.56ft (2.0m)	
SQ-Y23-2.5	8.20ft (2.5m)	
SQ-Y23-3.0	9.84ft (3.0m)	

跨度/Span		均布荷载/Uniformly Distributed Load		中心点承重/Center Point Allowable Loading		下沉/Deflection	
M	ft	kg/m	lbs/ft	kg	lbs	mm	inch
1	3.3	294.3	197.8	294.3	648.8	1	0.04
2	6.6	138.8	93.3	224.7	495.4	3	0.12
3	9.8	84.5	56.8	154.3	340.2	5	0.20
4	13.1	45.3	37.8	112.6	248.2	10	0.39
5	16.4	38.3	25.8	95.9	211.3	18	0.71
6	19.7	27.4	18.4	82.1	181.0	25	0.98
7	23.0	20.2	13.6	70.6	155.6	30	1.18
8	26.2	14.1	9.5	56.3	124.1	45	1.77
9	29.5	9.9	6.7	44.7	98.4	55	2.17
10	32.8	7.8	5.2	38.8	85.5	70	2.76
11	36.1	5.6	3.8	30.7	67.7	85	3.35
12	39.4	4.2	2.8	24.9	54.9	100	3.94

Aluminum truss(Screw truss) 铝合金灯架 (螺丝式)

► Y33



技术参数 Technical data

外径/Outside Diameter:	300mm
外管/Outside Tubing:	50mm
管壁厚度/Wall Thickness:	3mm
支撑/Bracing:	1 in
材料/Material:	T6061-T6 T6082-T6

型号/Model	描述/Description	
SQ-Y33-0.5	1.64ft (0.5m)	小方段 Mini Square Segment
SQ-Y33-1.0	3.28ft (1.0m)	
SQ-Y33-1.5	4.92ft (1.5m)	
SQ-Y33-2.0	6.56ft (2.0m)	
SQ-Y33-2.5	8.20ft (2.5m)	
SQ-Y33-3.0	9.84ft (3.0m)	

跨度/Span		均布荷载/Uniformly Distributed Load		中心点承重/Center Point Allowable Loading		下沉/Deflection	
M	ft	kg/m	lbs/ft	kg	lbs	mm	inch
1	3.3	1358.6	913.0	1358.6	2995.1	1	0.04
2	6.6	625.7	420.4	883.4	1947.5	3	0.12
3	9.8	391.4	263.0	587.4	1294.4	5	0.20
4	13.1	212.5	142.8	425.0	936.9	10	0.39
5	16.4	133.1	89.4	332.6	733.3	18	0.71
6	19.7	89.5	60.1	268.5	592.0	25	0.98
7	23.0	65.1	43.7	227.8	502.2	30	1.18
8	26.2	48.1	32.3	192.3	424.0	45	1.77
9	29.5	36.9	24.8	165.8	365.6	55	2.17
10	32.8	28.6	19.2	143.0	315.3	70	2.76
11	36.1	24.6	16.6	135.6	298.9	85	3.35
12	39.4	19.3	13.0	115.8	255.4	100	3.94

► Y43



技术参数 Technical data

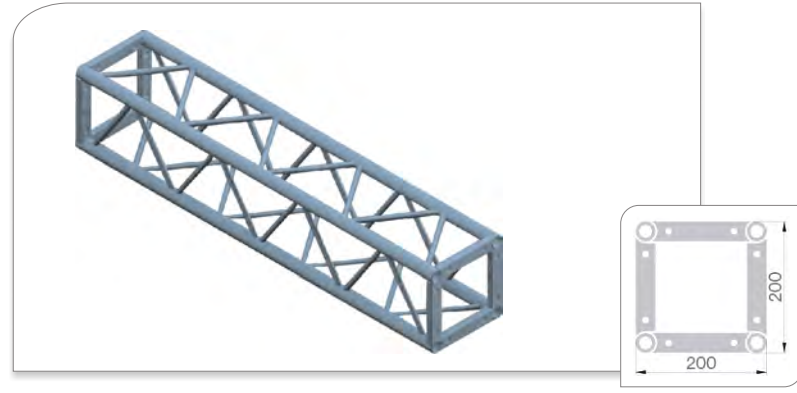
外径/Outside Diameter:	400mm
外管/Outside Tubing:	50mm
管壁厚度/Wall Thickness:	3mm
支撑/Bracing:	1 in
材料/Material:	T6061-T6 T6082-T6

型号/Model	描述/Description	
SQ-Y43-0.5	1.64ft (0.5m)	小方段 Mini Square Segment
SQ-Y43-1.0	3.28ft (1.0m)	
SQ-Y43-1.5	4.92ft (1.5m)	
SQ-Y43-2.0	6.56ft (2.0m)	
SQ-Y43-2.5	8.20ft (2.5m)	
SQ-Y43-3.0	9.84ft (3.0m)	

跨度/Span		均布荷载/Uniformly Distributed Load		中心点承重/Center Point Allowable Loading		下沉/Deflection	
M	ft	kg/m	lbs/ft	kg	lbs	mm	inch
1	3.3	1358.6	913.0	1358.6	2995.1	1	0.04
2	6.6	625.7	420.4	883.4	1947.5	3	0.12
3	9.8	391.4	263.0	587.4	1294.4	5	0.20
4	13.1	212.5	142.8	425.0	936.9	10	0.39
5	16.4	133.1	89.4	332.6	733.3	18	0.71
6	19.7	89.5	60.1	268.5	592.0	25	0.98
7	23.0	65.1	43.7	227.8	502.2	30	1.18
8	26.2	48.1	32.3	192.3	424.0	45	1.77
9	29.5	36.9	24.8	165.8	365.6	55	2.17
10	32.8	28.6	19.2	143.0	315.3	70	2.76
11	36.1	24.6	16.6	135.6	298.9	85	3.35
12	39.4	19.3	13.0	115.8	255.4	100	3.94

Aluminum truss(Screw truss) 铝合金灯架 (螺丝式)

► Y24



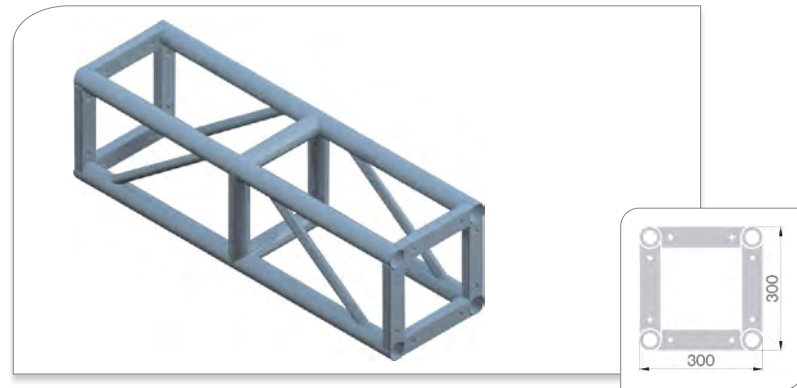
技术参数 Technical data

外径/Outside Diameter:	200mm
外管/Outside Tubing:	30mm
管壁厚度/Wall Thickness:	2mm
支撑/Bracing:	1 in
材料/Material:	T6061-T6 T6082-T6

型号/Model	描述/Description	
SQ-Y24-0.5	1.64ft (0.5m)	小方段 Mini Square Segment
SQ-Y24-1.0	3.28ft (1.0m)	
SQ-Y24-1.5	4.92ft (1.5m)	
SQ-Y24-2.0	6.56ft (2.0m)	
SQ-Y24-2.5	8.20ft (2.5m)	
SQ-Y24-3.0	9.84ft (3.0m)	

跨度/Span		均布荷载/Uniformly Distributed Load		中心点承重/Center Point Allowable Loading		下沉/Deflection	
M	ft	kg/m	lbs/ft	kg	lbs	mm	inch
1	3.3	350.0	235.2	350.0	771.6	1	0.04
2	6.6	173.3	116.5	338.7	746.7	3	0.12
3	9.8	114.0	76.6	327.4	721.8	5	0.20
4	13.1	84.0	56.4	264.0	582.0	10	0.39
5	16.4	66.2	44.5	202.8	447.1	18	0.71
6	19.7	51.0	34.3	158.5	349.4	25	0.98
7	23.0	38.2	25.7	139.3	307.1	30	1.18
8	26.2	27.4	18.4	121.7	268.3	45	1.77
9	29.5	20.1	13.5	104.4	230.2	55	2.17
10	32.8	16.8	11.3	91.0	200.6	70	2.76
11	36.1	14.6	9.8	79.3	174.8	85	3.35
12	39.4	11.0	7.4	70.9	156.3	100	3.94

► Y34



技术参数 Technical data

外径/Outside Diameter:	300mm
外管/Outside Tubing:	50mm
管壁厚度/Wall Thickness:	3mm
支撑/Bracing:	1 in
材料/Material:	T6061-T6 T6082-T6

型号/Model	描述/Description	
SQ-Y34-0.5	1.64ft (0.5m)	小方段 Mini Square Segment
SQ-Y34-1.0	3.28ft (1.0m)	
SQ-Y34-1.5	4.92ft (1.5m)	
SQ-Y34-2.0	6.56ft (2.0m)	
SQ-Y34-2.5	8.20ft (2.5m)	
SQ-Y34-3.0	9.84ft (3.0m)	

跨度/Span		均布荷载/Uniformly Distributed Load		中心点承重/Center Point Allowable Loading		下沉/Deflection	
M	ft	kg/m	lbs/ft	kg	lbs	mm	inch
1	3.3	1875.3	1260.2	1875.3	4134.3	1	0.04
2	6.6	932.2	626.5	1766.3	3894.0	3	0.12
3	9.8	609.3	409.5	1400.1	3086.6	5	0.20
4	13.1	443.3	297.9	1073.9	2367.4	10	0.39
5	16.4	330.4	222.0	824.9	1818.6	18	0.71
6	19.7	239.4	160.9	644.7	1421.4	25	0.98
7	23.0	174.1	117.0	566.6	1249.2	30	1.18
8	26.2	128.6	86.4	495.0	1091.4	45	1.77
9	29.5	98.6	66.2	424.7	936.2	55	2.17
10	32.8	76.5	51.4	370.2	816.1	70	2.76
11	36.1	65.9	44.3	322.6	711.1	85	3.35
12	39.4	51.6	34.7	288.4	635.8	100	3.94

Aluminum truss(Screw truss) 铝合金灯架 (螺丝式)

► Y44



技术参数 Technical data

外径/Outside Diameter:	400mm
外管/Outside Tubing:	50mm
管壁厚度/Wall Thickness:	3mm
支撑/Bracing:	1 in
材料/Material:	T6061-T6 T6082-T6

型号/Model	描述/Description	
SQ-Y44-0.5	1.64ft (0.5m)	小方段 Mini Square Segment
SQ-Y44-1.0	3.28ft (1.0m)	
SQ-Y44-1.5	4.92ft (1.5m)	
SQ-Y44-2.0	6.56ft (2.0m)	
SQ-Y44-2.5	8.20ft (2.5m)	
SQ-Y44-3.0	9.84ft (3.0m)	

跨度/Span		均布荷载/Uniformly Distributed Load		中心点承重/Center Point Allowable Loading		下沉/Deflection	
M	ft	kg/m	lbs/ft	kg	lbs	mm	inch
5	16.4	443.5	298.0	1452.3	3201.7	15	0.59
6	19.7	321.3	215.9	1159.8	2556.8	22	0.87
7	23.0	233.7	157.0	1019.3	2247.1	30	1.18
8	26.2	174.6	117.3	890.5	1963.2	40	1.57
9	29.5	127.3	85.5	763.9	1684.1	52	2.05
10	32.8	113.7	76.4	665.9	1468.0	62	2.44
11	36.1	95.5	64.2	580.3	1279.2	75	2.95
12	39.4	78.6	52.8	518.8	1143.7	88	3.46
13	42.7	64.5	43.3	447.3	986.1	100	3.94
14	45.9	53.9	36.2	401.7	885.6	115	4.53
15	49.2	44.1	29.6	354.5	781.5	128	5.04
16	52.5	37.9	25.5	311.1	685.8	145	5.71

► Y45



技术参数 Technical data

外径/Outside Diameter:	450mm
外管/Outside Tubing:	50mm
管壁厚度/Wall Thickness:	3mm
支撑/Bracing:	1 in
材料/Material:	T6061-T6 T6082-T6

型号/Model	描述/Description	
SQ-Y45-0.5	1.64ft (0.5m)	小方段 Mini Square Segment
SQ-Y45-1.0	3.28ft (1.0m)	
SQ-Y45-1.5	4.92ft (1.5m)	
SQ-Y45-2.0	6.56ft (2.0m)	
SQ-Y45-2.5	8.20ft (2.5m)	
SQ-Y45-3.0	9.84ft (3.0m)	

跨度/Span		均布荷载/Uniformly Distributed Load		中心点承重/Center Point Allowable Loading		下沉/Deflection	
M	ft	kg/m	lbs/ft	kg	lbs	mm	inch
6	19.7	352.0	236.5	1352.6	2981.8	13	0.51
8	26.2	171.4	128.6	1061.7	2340.7	29	1.14
9	29.5	147.9	99.4	925.0	2039.3	37	1.46
10	32.8	126.7	85.2	819.1	1805.8	45	1.77
11	36.1	111.4	74.8	726.7	1602.0	55	2.17
12	39.4	96.4	64.8	660.3	1455.7	65	2.56
13	42.7	85.5	57.4	583.1	1285.5	75	2.96
14	45.9	71.2	47.9	533.8	1176.9	85	3.35
15	49.2	59.4	39.9	482.9	1064.5	95	3.74
16	52.5	46.1	31.0	436.0	961.5	105	4.13
17	55.8	36.0	24.2	388.2	855.8	115	4.53
18	59.1	28.0	18.8	345.5	761.7	125	4.92

Aluminum truss(Screw truss) 铝合金灯架 (螺丝式)

► Y5060



技术参数 Technical data

外径/Outside Diameter:	600mm
外管/Outside Tubing:	50mm
管壁厚度/Wall Thickness:	3mm
支撑/Bracing:	1 in
材料/Material:	T6061-T6 T6082-T6

型号/Model	描述/Description	
SQ-Y5060-0.5	1.64ft (0.5m)	小方段 Mini Square Segment
SQ-Y5060-1.0	3.28ft (1.0m)	
SQ-Y5060-1.5	4.92ft (1.5m)	
SQ-Y5060-2.0	6.56ft (2.0m)	
SQ-Y5060-2.5	8.20ft (2.5m)	
SQ-Y5060-3.0	9.84ft (3.0m)	
SQ-Y5060-4.0	13.12ft (4.0m)	
SQ-Y5060-5.0	16.25ft (5.0m)	

跨度/Span		均布荷载/Uniformly Distributed Load		中心点承重/Center Point Allowable Loading		下沉/Deflection	
M	ft	kg/m	lbs/ft	kg	lbs	mm	inch
6	19.7	424.9	285.5	1529.7	3372.4	13	0.51
8	26.2	250.5	168.3	1051.9	2319.0	29	1.14
10	32.8	172.5	115.9	862.6	1901.6	45	1.77
12	39.4	131.1	88.1	786.7	1734.4	65	2.56
13	42.7	113.0	75.9	734.6	1619.4	75	2.96
14	45.9	94.3	63.4	660.2	1455.4	85	3.35
15	49.2	80.1	53.8	600.7	1324.3	95	3.74
16	52.5	66.1	44.4	528.4	1165.0	105	4.13
17	55.8	53.1	35.7	451.0	994.4	115	4.53
18	59.1	37.7	25.3	339.3	748.0	125	4.92
19	62.3	30.0	20.1	284.7	627.7	135	5.31
20	65.6	21.2	14.3	212.1	467.6	145	5.71

► Y5276



技术参数 Technical data

外径/Outside Diameter:	450mm
外管/Outside Tubing:	50mm
管壁厚度/Wall Thickness:	4mm
支撑/Bracing:	1 in
材料/Material:	T6061-T6 T6082-T6

型号/Model	描述/Description	
SQ-Y5276-0.5	1.64ft (0.5m)	小方段 Mini Square Segment
SQ-Y5276-1.0	3.28ft (1.0m)	
SQ-Y5276-1.5	4.92ft (1.5m)	
SQ-Y5276-2.0	6.56ft (2.0m)	
SQ-Y5276-2.5	8.20ft (2.5m)	
SQ-Y5276-3.0	9.84ft (3.0m)	
SQ-Y5276-4.0	13.12ft (4.0m)	
SQ-Y5276-5.0	16.25ft (5.0m)	

跨度/Span		均布荷载/Uniformly Distributed Load		中心点承重/Center Point Allowable Loading		下沉/Deflection	
M	ft	kg/m	lbs/ft	kg	lbs	mm	inch
6	19.7	485.9	326.5	1749.4	3856.6	13	0.51
8	26.2	293.1	197	1289.7	2843.2	29	1.14
10	32.8	205.4	138	1026.9	2263.8	45	1.77
12	39.4	157.9	106.1	947.6	2089	65	2.56
14	45.9	116.5	78.3	815.3	1797.4	85	3.35
16	52.5	84.7	56.9	677.6	1493.8	105	4.13
18	59.1	58.1	39	522.5	1151.8	125	4.92
20	65.6	34.7	23.3	476.2	1049.8	145	5.71
22	72.2	29.6	19.89	398.7	878.9	163	6.41
24	78.7	23.5	15.79	322.3	706.1	187	7.36
26	85.3	18.6	12.5	230.5	508.16	208	8.18

Aluminum truss(Screw truss) 铝合金灯架 (螺丝式)

► Y6076



技术参数 Technical data

外径/Outside Diameter:	450mm
外管/Outside Tubing:	50mm
管壁厚度/Wall Thickness:	3mm
支撑/Bracing:	1 in
材料/Material:	T6061-T6 T6082-T6

型号/Model	描述/Description	
SQ-Y6076-0.5	1.64ft (0.5m)	小方段 Mini Square Segment
SQ-Y6076-1.0	3.28ft (1.0m)	
SQ-Y6076-1.5	4.92ft (1.5m)	
SQ-Y6076-2.0	6.56ft (2.0m)	
SQ-Y6076-2.5	8.20ft (2.5m)	
SQ-Y6076-3.0	9.84ft (3.0m)	
SQ-Y6076-4.0	13.12ft (4.0m)	
SQ-Y6076-5.0	16.25ft (5.0m)	

跨度/Span		均布荷载/Uniformly Distributed Load		中心点承重/Center Point Allowable Loading		下沉/Deflection	
M	ft	kg/m	lbs/ft	kg	lbs	mm	inch
6	19.7	485.9	326.5	1749.4	3856.6	13	0.51
8	26.2	293.1	197	1289.7	2843.2	29	1.14
10	32.8	205.4	138	1026.9	2263.8	45	1.77
12	39.4	157.9	106.1	947.6	2089	65	2.56
14	45.9	116.5	78.3	815.3	1797.4	85	3.35
16	52.5	84.7	56.9	677.6	1493.8	105	4.13
18	59.1	58.1	39	522.5	1151.8	125	4.92
20	65.6	34.7	23.3	476.2	1049.8	145	5.71
22	72.2	29.6	19.89	398.7	878.9	163	6.41
24	78.7	23.5	15.79	322.3	706.1	187	7.36
26	85.3	18.6	12.5	230.5	508.16	208	8.18

► Y7691



技术参数 Technical data

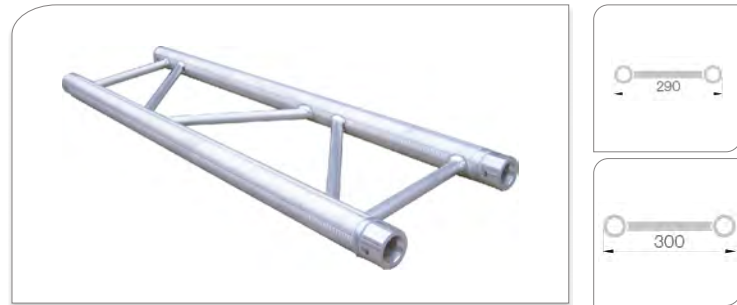
外径/Outside Diameter:	910mm
外管/Outside Tubing:	50mm
管壁厚度/Wall Thickness:	3mm
支撑/Bracing:	1 in
材料/Material:	T6061-T6 T6082-T6

型号/Model	描述/Description	
SQ-Y7691-0.5	1.64ft (0.5m)	小方段 Mini Square Segment
SQ-Y7691-1.0	3.28ft (1.0m)	
SQ-Y7691-1.5	4.92ft (1.5m)	
SQ-Y7691-2.0	6.56ft (2.0m)	
SQ-Y7691-2.5	8.20ft (2.5m)	
SQ-Y7691-3.0	9.84ft (3.0m)	
SQ-Y7691-4.0	13.12ft (4.0m)	
SQ-Y7691-5.0	16.25ft (5.0m)	

跨度/Span		均布荷载/Uniformly Distributed Load		中心点承重/Center Point Allowable Loading		下沉/Deflection	
M	ft	kg/m	lbs/ft	kg	lbs	mm	inch
6	19.7	847.8	569.7	3433.8	7570.0	10	0.39
8	26.2	569.7	382.8	2734.5	6028.5	20	0.79
10	32.8	428.7	288.1	2143.7	4725.9	30	1.18
12	39.4	345.0	231.9	2070.1	4563.7	40	1.57
14	45.9	278.2	186.9	1947.4	4293.1	50	1.97
16	52.5	227.4	152.8	1819.6	4011.4	63	2.48
18	59.1	184.4	123.9	1659.4	3658.2	79	3.11
20	65.6	149.8	100.7	1498.1	3302.7	95	3.74
22	72.2	122.3	82.2	1345.6	2966.5	115	4.53
24	78.7	100.4	67.4	1204.4	2655.1	135	5.31
26	85.3	82.6	55.5	1073.6	2366.8	155	6.10
28	91.9	67.5	45.4	944.8	2082.9	175	6.89
30	98.4	54.2	36.4	813.5	1793.3	195	7.68

Aluminum truss(Spigot truss) 铝合金灯架 (插销式)

▶ J32



技术参数 Technical data		
外径/Outside Diameter:	290mm/300mm	
外管/Outside Tubing:	50mm	
管壁厚度/Wall Thickness:	3mm	
支撑/Bracing:	3/4 in	
材料/Material:	T6061-T6 T6082-T6	
Circle vertical		
IB-C1.5V-180	4.92ft (1.5m)	束垂直圆弧段 ibeam vertical circular segment
IB-C2V-180	6.56ft (2.0m)	
IB-C3V-90	9.84ft (3.0m)	
IB-C4V-90	13.12ft (4.0m)	
IB-C5V-45	16.40ft (5.0m)	
IB-C6V-45	19.84ft (6.0m)	

长度/Length	Total	Deflection	Cpl	Deflection	Third point	Deflection	Quarter point	Deflection
Meters	Udl	Inches	Lbs	Inches	Lbs	Inches	Lbs	Inches
2 (6.56')	2494.8	0.12	1557.6	0.07	1247.4	0.12	851.14	0.07
3 (9.84')	2488.2	0.23	1289.64	0.19	1107.92	0.39	738.76	0.23
4 (13.12')	2204.4	0.51	1102.2	0.43	825	0.55	551.1	0.43
5 (16.25')	1751.2	0.82	875.82	0.67	656.92	0.82	438.02	0.62
6 (19.68')	1448.04	1.18	723.8	0.94	542.96	1.22	361.9	0.94
7 (22.96')	1228.92	1.57	614.24	1.26	460.68	1.61	307.12	1.22
8 (26.24')	1063.04	2	531.3	1.65	398.42	2.12	265.76	1.61
9 (29.52')	932.58	2.71	465.96	2.12	349.58	2.63	232.98	2.04
10 (32.8')	827.2	3.3	413.16	2.52	309.98	3.22	206.58	2.51
1 meter = 3.28ft (39.36")								
1 kg(kilogram) = 2.2lbs(pounds)								
1 inch = 2.54cm(centimeters)								
CPL = Center Point Load								
UDL = Uniform Distributed Load								

▶ J23



技术参数 Technical data	
外径/Outside Diameter:	200mm
外管/Outside Tubing:	30mm
管壁厚度/Wall Thickness:	1.5mm
支撑/Bracing:	1/3 in
材料/Material:	T6061-T6 T6082-T6

这两个系统可以扩展到更高或更宽。
Both systems can be extended to be taller or wider.



ARCH SYSTEM 1
10' Wide x 7' 11" Height
70 lbs. Optional Bag



TRUSS SYSTEM 1
8' 3" Wide x 7' 9" Height
70 lbs. Optional Bag

跨度/Span		均布荷载/Uniformly Distributed Load		中心点承重/Center Point Allowable Loading		下沉/Deflection	
M	ft	kg/m	lbs/ft	kg	lbs	mm	inch
1	3.3	314.0	211.0	314.0	692.3	1	0.04
2	6.6	148.3	99.6	235.9	520.1	3	0.12
3	9.8	90.4	60.7	162.0	357.2	5	0.20
4	13.1	60.4	40.6	129.3	285.0	10	0.39
5	16.4	41.3	27.7	110.8	244.3	18	0.71
6	19.7	29.6	19.9	95.6	210.8	25	0.98
7	23.0	21.9	14.7	83.0	182.9	30	1.18
8	26.2	15.4	10.4	67.2	148.1	45	1.77
9	29.5	11.0	7.4	54.4	119.8	55	2.17
10	32.8	8.6	5.8	47.9	105.6	70	2.76
11	36.1	6.3	4.2	39.0	85.9	85	3.35
12	39.4	4.8	3.2	32.6	71.8	100	3.94

Aluminum truss(Spigot truss) 铝合金灯架 (插销式)

▶ J33



技术参数 Technical data	
外径/Outside Diameter:	290mm/300mm
外管/Outside Tubing:	50mm
管壁厚度/Wall Thickness:	3mm
支撑/Bracing:	3/4 in
材料/Material:	T6061-T6 T6082-T6

长度/Length	Total	Deflection	Cpl	Deflection	Third point	Deflection	Quarter point	Deflection
Meters	Udl	Inches	Lbs	Inches	Lbs	Inches	Lbs	Inches
1 (3.28')	4188.8		1716		1562		1321.54	
2 (6.56')	2537.04	0.11	1321.54	0.15	1145.76	0.19	905.08	0.11
3 (9.84')	1914.44	0.39	1074.26	0.27	905.08	0.27	633.6	0.23
4 (13.12')	1892	0.51	905.08	0.35	707.96	0.47	471.9	0.43
5 (16.25')	1493.8	0.7	748	0.59	560.34	0.74	373.56	0.66
6 (19.68')	1228.92	1.02	614.46	0.82	460.9	1.06	307.12	0.98
7 (22.96')	1036.42	1.41	518.54	1.14	388.96	1.45	259.16	1.33
8 (26.24')	890.56	1.85	445.5	1.45	334.18	1.88	222.86	1.73
9 (29.52')	776.16	2.32	387.64	1.85	290.84	2.36	193.82	2.2
10 (32.8')	682.68	2.87	340.56	2.28	255.42	2.95	170.28	2.71
11 (36.08')	602.58	3.46	301.18	2.79	225.94	3.54	150.7	3.3
12 (39.36')	535.92	4.13	267.52	3.3	200.86	4.21	133.76	3.93
13 (42.64')	463.32	4.84	238.7	3.89	179.08	4.96	119.24	4.6
14 (45.92')	425.04	5.62	213.18	4.48	159.72	5.74	106.48	5.35
15 (49.2')	379.5	6.22	190.3	5.23	142.78	6.37	95.04	6.1
16 (52.48')	352	6.45	170.06	5.82	127.38	6.88	84.92	6.53
17 (55.76')	299.2	6.88	151.36	6.37	113.52	7.28	75.68	7
18 (59.04')	238.6	7.55	134.42	7.08	99.44	7.87	67.1	7.51
1 meter = 3.28ft (39.36")								
1 kg(kilogram) = 2.2lbs(pounds)								
1 inch = 2.54cm(centimeters)								
CPL = Center Point Load								
UDL = Uniform Distributed Load								

▶ J43



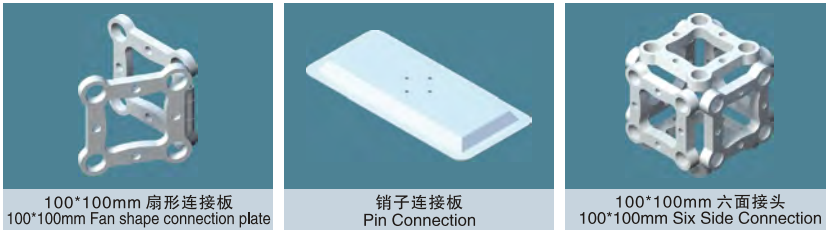
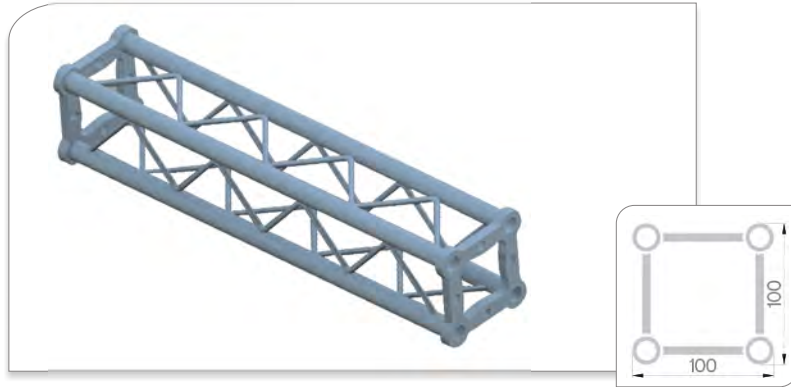
技术参数 Technical data	
外径/Outside Diameter:	390mm/400mm
外管/Outside Tubing:	50mm
管壁厚度/Wall Thickness:	3mm
支撑/Bracing:	1 in
材料/Material:	T6061-T6 T6082-T6

型号/Model	描述/Description	
SQ-J43-0.5	1.64ft (0.5m)	小方段 Mini Square Segment
SQ-J43-1.0	3.28ft (1.0m)	
SQ-J43-1.5	4.92ft (1.5m)	
SQ-J43-2.0	6.56ft (2.0m)	
SQ-J43-2.5	8.20ft (2.5m)	
SQ-J43-3.0	9.84ft (3.0m)	

跨度/Span		均布荷载/Uniformly Distributed Load		中心点承重/Center Point Allowable Loading		下沉/Deflection	
M	ft	kg/m	lbs/ft	kg	lbs	mm	inch
1	3.3	1398.3	939.6	1398.3	3082.6	1	0.04
2	6.6	644.5	433.1	832.6	1835.5	3	0.12
3	9.8	403.5	271.2	605.3	1334.3	5	0.20
4	13.1	217.9	146.4	435.7	960.6	10	0.39
5	16.4	137.9	92.1	342.6	755.3	18	0.71
6	19.7	92.6	62.3	277.9	612.8	25	0.98
7	23.0	67.7	45.5	236.9	522.3	30	1.18
8	26.2	50.3	33.8	201.1	443.5	45	1.77
9	29.5	38.8	26.0	174.4	384.5	55	2.17
10	32.8	30.3	20.4	151.4	333.8	70	2.76
11	36.1	21.2	17.6	116.6	257.1	85	3.35
12	39.4	17.1	13.9	102.6	226.2	100	3.94

Aluminum truss(Spigot truss) 铝合金灯架 (插销式)

► J14



技术参数 Technical data

外径/Outside Diameter:	100mm
外管/Outside Tubing:	20mm
管壁厚度/Wall Thickness:	1.6mm
支撑/Bracing:	1/4 in
材料/Material:	T6061-T6 T6082-T6

长度/Length(m)	Total UDL	Cpllbs
1 (3.28')	756.8	554.4
2 (6.56')	668.8	426.8
3 (9.84')	215.6	347.6
4 (13.12')	646.8	303.6
5 (16.25')	506	176
6 (19.68')	316.8	118.8
7 (22.96')	215.6	61.6

型号/Model	描述/Description	
SQ-J14-0.5	1.64ft (0.5m)	小方段 Mini Square Segment
SQ-J14-1.0	3.28ft (1.0m)	
SQ-J14-1.5	4.92ft (1.5m)	
SQ-J14-2.0	6.56ft (2.0m)	
SQ-J14-2.5	8.20ft (2.5m)	
SQ-J14-3.0	9.84ft (3.0m)	

技术参数 Technical data

外径/Outside Diameter:	200mm
外管/Outside Tubing:	30mm
管壁厚度/Wall Thickness:	1.5mm
支撑/Bracing:	1/3 in
材料/Material:	T6061-T6 T6082-T6

长度/Length(m)	Total UDL	Cpl lbs
1 (3.28')	1396.56	1396.56
2 (6.56')	1385.56	1008.7
3 (9.84')	1326.6	663.3
4 (13.12')	975.92	487.96
5 (16.25')	761.2	380.38
6 (19.68')	613.8	306.9
7 (22.96')	505.12	252.78
8 (26.24')	422.4	210.98
9 (29.52')	354.42	177.1
10 (32.8')	297	148.94

型号/Model	描述/Description	
SQ-J24-050	1.64ft. (0.5m)	小方段 Light Duty Square Segment
SQ-J24-100	3.28ft. (1.0m)	
SQ-J24-150	4.92ft. (1.5m)	
SQ-J24-200	6.56ft. (2.0m)	
SQ-J24-215	7.05ft. (2.15m)	
SQ-J24-250	8.20ft. (2.5m)	
SQ-J24-275	9.02ft. (2.75m)	
SQ-J24-300	9.84ft. (3.0m)	
SQ-J24-350	11.48ft. (3.5m)	
SQ-J24-C21	1.64ft. (0.5m)	
SQ-J24-C30	1.64ft. (0.5m)	3面90° 转角 3 Way 90 Degree Corner
SQ-J24-C35	1.64ft. (0.5m)	3面90° 转角 3 Way T-junction
ST-UJB-J24		通用接线盒 Universal Junction Box



Aluminum truss(Spigot truss) 铝合金灯架 (插销式)

► J34



技术参数 Technical data

外径/Outside Diameter:	290mm/300mm
外管/Outside Tubing:	50mm
管壁厚度/Wall Thickness:	3mm
支撑/Bracing:	3/4 in
材料/Material:	T6061-T6 T6082-T6

型号/Model	描述/Description	
SQ-J34-0.5	1.64ft (0.5m)	小方段 Mini Square Segment
SQ-J34-1.0	3.28ft (1.0m)	
SQ-J34-1.5	4.92ft (1.5m)	
SQ-J34-2.0	6.56ft (2.0m)	
SQ-J34-2.5	8.20ft (2.5m)	
SQ-J34-3.0	9.84ft (3.0m)	

长度/Length	Total	Deflection	Cpl	Deflection	Third point	Deflection	Quarter point	Deflection
Meters	Udl	Inches	Lbs	Inches	Lbs	Inches	Lbs	Inches
1 (3.28')	5007.2		2010.58		1914.44		1668.92	
2 (6.56')	4998.4		1749.22		1606.44		1383.8	
3 (9.84')	4989.6	0.23	1544.18	0.19	1383.8	0.31	1145.76	0.23
4 (13.12')	4422	0.47	1383.8	0.31	1215.5	0.51	977.46	0.39
5 (16.25')	3522.2	0.82	1253.6	0.39	1083.72	0.82	852.5	0.62
6 (19.68')	2917.2	1.18	1145.76	0.66	977.46	1.18	729.74	0.98
7 (22.96')	2464	1.57	1054.9	1.1	890.34	1.65	621.28	1.29
8 (26.24')	2147.2	2.04	977.46	1.53	809.38	2.28	539.66	1.61
9 (29.52')	1881	2.55	910.58	2.04	713.24	2.75	475.42	2.04
10 (32.8')	1672	3.14	847.44	2.55	635.58	3.26	423.72	2.51
11 (36.08')	1500.4	3.74	762.08	3.07	571.56	3.97	381.04	3.03
12 (39.36')	1346.4	4.37	689.92	3.66	517.66	4.64	344.96	3.38
13 (42.64')	1229.8	5.55	628.54	4.13	471.46	5.19	314.16	4.17
14 (45.92')	1108.8	6.33	575.08	4.68	431.42	6.1	287.54	4.68
15 (49.2')	1023	7.32	528.22	5.35	396.22	6.85	264.22	5.11
16 (52.48')	950.4	8.38	486.64	5.94	364.98	7.59	243.32	5.98
17 (55.76')	897.6	9.64	449.68	6.61	337.26	8.46	224.84	6.53
18 (59.04')	831.6	10.82	416.02	7.28	311.96	9.29	208.12	7.4

► J44



技术参数 Technical data

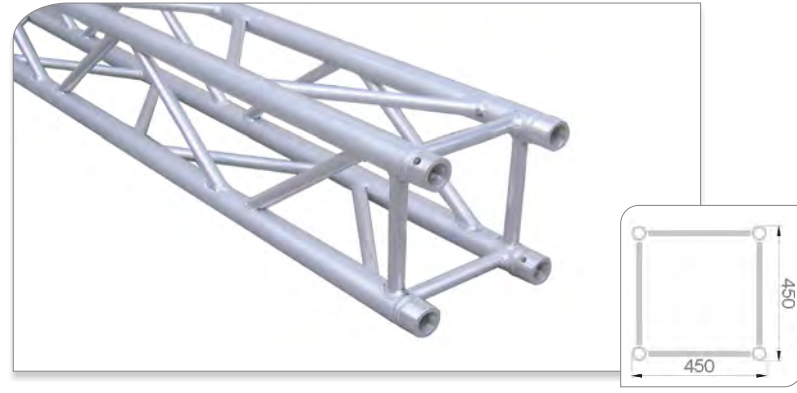
外径/Outside Diameter:	390mm/400mm
外管/Outside Tubing:	50mm
管壁厚度/Wall Thickness:	3mm
支撑/Bracing:	1 in
材料/Material:	T6061-T6 T6082-T6

型号/Model	描述/Description	
SQ-J44-0.5	1.64ft (0.5m)	小方段 Mini Square Segment
SQ-J44-1.0	3.28ft (1.0m)	
SQ-J44-1.5	4.92ft (1.5m)	
SQ-J44-2.0	6.56ft (2.0m)	
SQ-J44-2.5	8.20ft (2.5m)	
SQ-J44-3.0	9.84ft (3.0m)	

长度/Length	Total	Deflection	Cpl	Deflection	Third point	Deflection	Quarter point	Deflection
Meters	Udl	Inches	Lbs	Inches	Lbs	Inches	Lbs	Inches
1 (3.28')	2930.84		1785.52		1748.12		1677.94	
2 (6.56')	5063.08	0.11	1677.94		1613.26	0.15	1497.1	0.11
3 (9.84')	6188.82	0.19	1582.68	0.11	1497.54	0.27	1351.9	0.19
4 (13.12')	6432.8	0.27	1497.54	0.19	1397.44	0.35	1430.66	0.23
5 (16.25')	5115	0.39	1420.98	0.23	1309.88	0.47	1132.34	0.31
6 (19.68')	4224	0.59	1352.12	0.31	1232.66	0.62	1047.2	0.43
7 (22.96')	2052.82	0.78	1289.64	0.43	1164.02	0.78	898.26	0.59
8 (26.24')	3111.68	0.98	1232.66	0.62	1102.42	0.94	777.7	0.78
9 (29.52')	2732.4	1.18	1180.3	0.82	1024.54	1.37	682.88	0.94
10 (32.8')	2424.4	1.45	1132.34	1.1	909.48	1.53	606.32	1.14
11 (36.08')	2170.74	1.77	1085.7	1.41	814.22	1.81	542.74	1.41
12 (39.36')	1956.24	2.2	978.34	1.65	733.7	2.12	489.06	1.61
13 (42.64')	1773.2	2.67	885.94	1.92	666.16	2.48	443.08	1.88
14 (45.92')	1610.84	3.11	805.86	2.16	604.34	2.79	402.82	2.12
15 (49.2')	1471.8	3.38	735.02	2.44	551.32	3.18	367.62	2.36
16 (52.48')	1344.64	3.54	672.1	2.71	504.02	4.09	336.16	2.67
17 (55.76')	1230.46	3.93	615.56	2.99	461.56	4.52	307.78	2.91
18 (59.04')	1128.6	4.21	564.08	3.3	423.06	4.96	282.04	3.22

Aluminum truss(Spigot truss) 铝合金灯架 (插销式)

J45



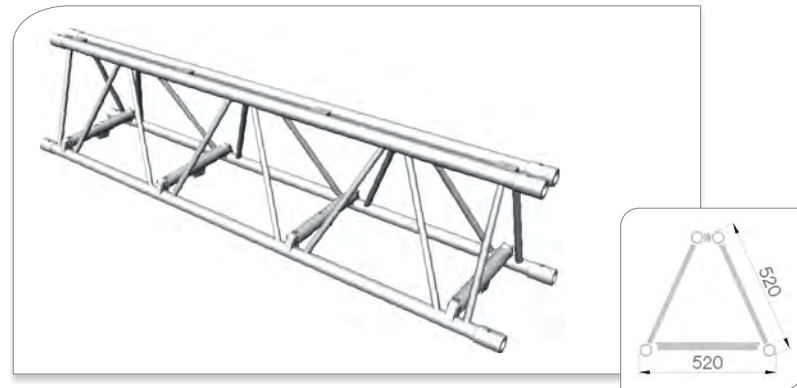
技术参数 Technical data

外径/Outside Diameter:	450mm
外管/Outside Tubing:	50mm
管壁厚度/Wall Thickness:	3mm
支撑/Bracing:	1 in
材料/Material:	T6061-T6 T6082-T6

型号/Model	描述/Description	
SQ-J45-0.5	1.64ft (0.5m)	小方段 Mini Square Segment
SQ-J45-1.0	3.28ft (1.0m)	
SQ-J45-1.5	4.92ft (1.5m)	
SQ-J45-2.0	6.56ft (2.0m)	
SQ-J45-2.5	8.20ft (2.5m)	
SQ-J45-3.0	9.84ft (3.0m)	

跨度/Span		均布荷载/Uniformly Distributed Load		中心点承重/Center Point Allowable Loading		下沉/Deflection	
M	ft	kg/m	lbs/ft	kg	lbs	mm	inch
6	19.7	367.1	246.7	1410.7	3110.0	13	0.51
8	26.2	199.7	134.2	1107.4	2441.3	29	1.14
9	29.5	154.2	103.7	964.8	2127.0	37	1.46
10	32.8	132.2	88.8	854.4	1883.5	45	1.77
11	36.1	161.1	78.1	757.9	1670.9	55	2.17
12	39.4	100.5	67.6	688.7	1518.3	65	2.56
13	42.7	89.1	59.9	608.2	1340.7	75	2.95
14	45.9	74.3	49.9	556.8	1227.5	85	3.35
15	49.2	61.9	41.6	503.6	1101.3	95	2.94
16	52.5	48.1	32.3	454.7	1002.5	105	4.13
17	55.8	37.6	25.2	404.9	892.6	115	4.53
18	59.1	29.2	19.6	360.4	794.4	125	4.92

J52D



技术参数 Technical data

外径/Outside Diameter:	520mm
外管/Outside Tubing:	50mm
管壁厚度/Wall Thickness:	3mm
支撑/Bracing:	1 in
材料/Material:	T6061-T6 T6082-T6

型号/Model	描述/Description	
SQ-J52D-0.5	1.64ft (0.5m)	小方段 Mini Square Segment
SQ-J52D-1.0	3.28ft (1.0m)	
SQ-J52D-1.5	4.92ft (1.5m)	
SQ-J52D-2.0	6.56ft (2.0m)	
SQ-J52D-2.5	8.20ft (2.5m)	
SQ-J52D-3.0	9.84ft (3.0m)	

跨度/Span		均布荷载/Uniformly Distributed Load		中心点承重/Center Point Allowable Loading		下沉/Deflection	
M	ft	kg/m	lbs/ft	kg	lbs	mm	inch
6	19.7	510.4	342.7	1780	3924.2	8	0.31
7	23	425.6	285.5	1534	3381.9	10	0.39
8	26.2	364.8	245.6	1200	2645.5	21	0.83
9	29.5	319.2	214.7	1150	2535.3	33	1.29
10	32.8	214.4	145.1	1034	2279.5	40	1.57
12	39.2	148.8	100.4	880	1940	61	2.4
14	45.9	109.6	73.6	740	1631	92	3.62
16	52.5	84	56.4	660	1455	119	4.68
18	59	66.4	44.6	580	1278.9	156	6.15
20	65.6	53.6	36	495	1091	198	7.79
22	72.2	41.2	27.6	402	886.2	233	9.17

Aluminum truss(Spigot truss) 铝合金灯架 (插销式)

J5276



技术参数 Technical data

外径/Outside Diameter:	760mm
外管/Outside Tubing:	50mm
管壁厚度/Wall Thickness:	3mm/4mm/5mm
支撑/Bracing:	1 in
材料/Material:	T6061-T6 T6082-T6

型号/Model	描述/Description	
SQ-J5276-0.5	1.64ft (0.5m)	小方段 Mini Square Segment
SQ-J5276-1.0	3.28ft (1.0m)	
SQ-J5276-1.5	4.92ft (1.5m)	
SQ-J5276-2.0	6.56ft (2.0m)	
SQ-J5276-2.5	8.20ft (2.5m)	
SQ-J5276-3.0	9.84ft (3.0m)	
SQ-J5276-4.0	13.12ft (4.0m)	
SQ-J5276-5.0	16.25ft (5.0m)	

跨度/Span		均布荷载/Uniformly Distributed Load		中心点承重/Center Point Allowable Loading		下沉/Deflection	
M	ft	kg/m	lbs/ft	kg	lbs	mm	inch
6	19.7	485.9	326.5	1749.4	3856.6	13	0.51
8	26.2	293.1	197	1289.7	2843.2	29	1.14
10	32.8	205.4	138	1026.9	2263.8	45	1.77
12	39.4	157.9	106.1	947.6	2089	65	2.56
14	45.9	116.5	78.3	815.3	1797.4	85	3.35
16	52.5	84.7	56.9	677.6	1493.8	105	4.13
18	59.1	58.1	39	522.5	1151.8	125	4.92
20	65.6	34.7	23.3	476.2	1049.8	145	5.71
22	72.2	29.6	19.89	398.7	878.9	163	6.41
24	78.7	23.5	15.79	322.3	706.1	187	7.36
26	85.3	18.6	12.5	230.5	508.16	208	8.18

J7691



技术参数 Technical data

外径/Outside Diameter:	910mm
外管/Outside Tubing:	50mm
管壁厚度/Wall Thickness:	3mm/4mm/5mm
支撑/Bracing:	1 in
材料/Material:	T6061-T6 T6082-T6

型号/Model	描述/Description	
SQ-J7691-0.5	1.64ft (0.5m)	小方段 Mini Square Segment
SQ-J7691-1.0	3.28ft (1.0m)	
SQ-J7691-1.5	4.92ft (1.5m)	
SQ-J7691-2.0	6.56ft (2.0m)	
SQ-J7691-2.5	8.20ft (2.5m)	
SQ-J7691-3.0	9.84ft (3.0m)	
SQ-J7691-4.0	13.12ft (4.0m)	
SQ-J7691-5.0	16.25ft (5.0m)	

跨度/Span		均布荷载/Uniformly Distributed Load		中心点承重/Center Point Allowable Loading		下沉/Deflection	
M	ft	kg/m	lbs/ft	kg	lbs	mm	inch
6	19.7	884.3	594.2	3581.4	7895.5	10	0.39
8	26.2	594.2	399.3	2852.1	6287.7	20	0.79
10	32.8	447.2	300.5	2235.9	4929.1	30	1.18
12	39.4	359.9	241.8	2159.1	4760.0	40	1.57
14	45.9	290.2	195.0	2031.1	4477.7	50	1.97
16	52.5	237.2	159.4	1897.8	4183.9	63	2.48
18	59.1	192.3	129.2	1730.7	3815.5	79	3.11
20	65.6	156.3	105.0	1562.5	3444.7	95	3.74
22	72.2	127.6	85.7	1403.5	3094.1	115	4.53
24	78.7	104.7	70.3	1256.1	2769.3	135	5.31
26	85.3	86.1	57.9	1119.7	2468.6	155	6.10
28	91.9	70.4	47.3	985.4	2172.5	175	6.89
30	98.4	56.6	38.0	848.4	1870.4	195	7.68

Aluminum truss(Spigot truss) 铝合金灯架 (插销式)

► Medium Duty Truss for Installations, Showroom/Trade show Displays & Decorative Applications



Apex up/down—Available in Apex out/in
3.28ft (1.0m)
2 Way 45° Triangular Corner



Apex up/down—Available in Apex out/in
3.28ft (1.0m)
2 Way 60° Triangular Corner



Apex up/down—Available in Apex out/in
1.64ft (0.5m)
2 Way 90° Triangular Corner



Apex up/down—Available in Apex out/in
1.64ft (0.5m)
2 Way 120° Triangular Corner



Apex up/down—Available in Apex out/in
1.64ft (0.5m)
2 Way 135° Triangular Corner



Apex out
1.64ft (0.5m)
2 Way 90° Triangular Corner



Apex in
1.64ft (0.5m)
2 Way 90° Triangular Corner



Apex up right
1.64ft (0.5m)
3 Way 90° Triangular Corner



Apex up left
1.64ft (0.5m)
3 Way 90° Triangular Corner



Apex down/right
1.64ft (0.5m)
3 Way 90° Triangular Corner



Apex down/left
1.64ft (0.5m)
3 Way 90° Triangular Corner



T-Junction Apex in
1.64ft (0.5m)
3 Way Triangular Horizontal



T-Junction Apex up/down
1.64ft (0.5m)
3 Way Triangular Horizontal



T-Junction Apex out
1.64ft (0.5m)
3 Way Triangular Horizontal



T-Junction Apex down
1.64ft (0.5m)
3 Way Triangular Vertical



T-Junction Apex up
1.64ft (0.5m)
3 Way Triangular Vertical



Cross Junction Apex up/down
1.64ft (0.5m)
4 Way Triangular Horizontal



T-Junction Apex down
1.64ft (0.5m)
4 Way Triangular



T-Junction Apex up
1.64ft (0.5m)
4 Way Triangular



Apex up right
1.64ft (0.5m)
4 Way 90° Triangular Corner



Apex up left
1.64ft (0.5m)
4 Way 90° Triangular Corner



Apex up/down
1.64ft (0.5m)
4 Way Vertical Cross Junction



1.64ft (0.5m)
5 Way T-Junction Apex up/down



1.64ft (0.5m)
5 Way Cross Junction Apex up

Aluminum truss(Spigot truss) 铝合金灯架 (插销式)



3.28ft (1.0m) 2 Way 45° Corner



3.28ft (1.0m) 2 Way 60° Corner



1.64ft (0.5m) 2 90° Corner
available in black powder coat



1.64ft (0.5m) 2 Way 120° Corner



1.64ft (0.5m) 2 Way 135° Corner
available in black powder coat



1.64ft (0.5m) 3 Way 90° Corner
available in black powder coat



1.64ft (0.5m) 3 T-Way Junction
available in black powder coat



1.64ft (0.5m) 4 Way T-Junction



1.64ft (0.5m) 4 Way Cross Junction



1.64ft (0.5m) 5 Way T-Junction



1.64ft (0.5m) 6 Way



Universal Junction Box
available in black & white powder coat



tuV approved
PRO CLAMP
PRO CLAMP/BLK
max weight capacity: 500 kgs, /1000 lbs.



tuV approved
NARROW CLAMP
NARROW CLAMP/BLK
max weight capacity: 200 kgs, /440 lbs.



tuV approved
EYE CLAMP
EYE CLAMP/BLK
aluminum 2: wrap around clamp with eyebolt
max weight capacity: 200 kgs, /440 lbs.



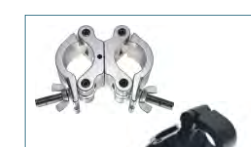
tuV approved
COUPLER CLAMP
COUPLER CLAMP/BLK
clamp with half coupler combo.
max weight capacity: 500 kgs, /1000 lbs.



tuV approved
SIDE ENTRY CLAMP
max weight capacity: 300 kgs, /660 lbs.



tuV approved
TRIGGER CLAMP
TRIGGER CLAMP/BLK
max weight capacity: 250 kgs, /550 lbs.



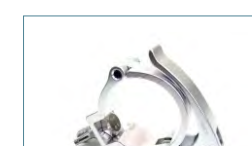
tuV approved
PRO SWIVEL CLAMP
PRO SWIVEL CLAMP/BLK
max weight capacity: 500 kgs, /1000 lbs.



tuV approved
SWIVEL NARROW CLAMP
max weight capacity: 200 kgs, /440 lbs.
narrow version of pro swivel clamp



tuV approved
MINI 360
MINI 360/BLK
max weight capacity: 100 kgs, /220 lbs.



MINI 360-QR
max weight capacity: 100 kgs, /220 lbs.



MINI 360 QR-SWIVEL CLAMP
max weight capacity: 100 kgs, /220 lbs.



SUPER CLAMP
max weight capacity: 15 kgs, /33 lbs.

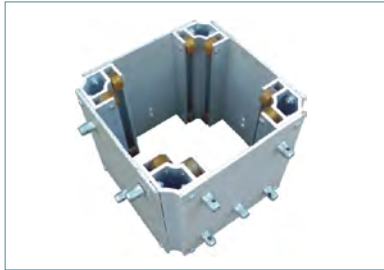
I Bolt lift system 插销式升降系统

THA0010 横担
TOP-SECTION



THA0010

THA0020 插销式方套
SLEEVE BLOCK



THA0030 斜撑
LONG OUTRIGGER



THA0040 插销式底座
CONICAL COUPLER BASE



THA0040

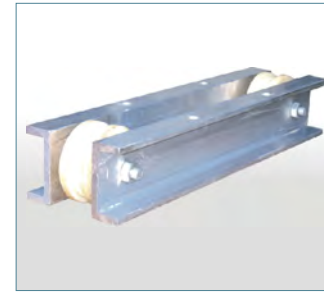


THA0020

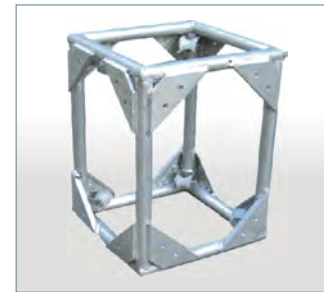


I Screw-type lift system 螺丝式升降系统

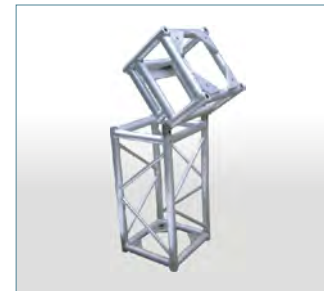
TSA0010 横担
TOP-SECTION



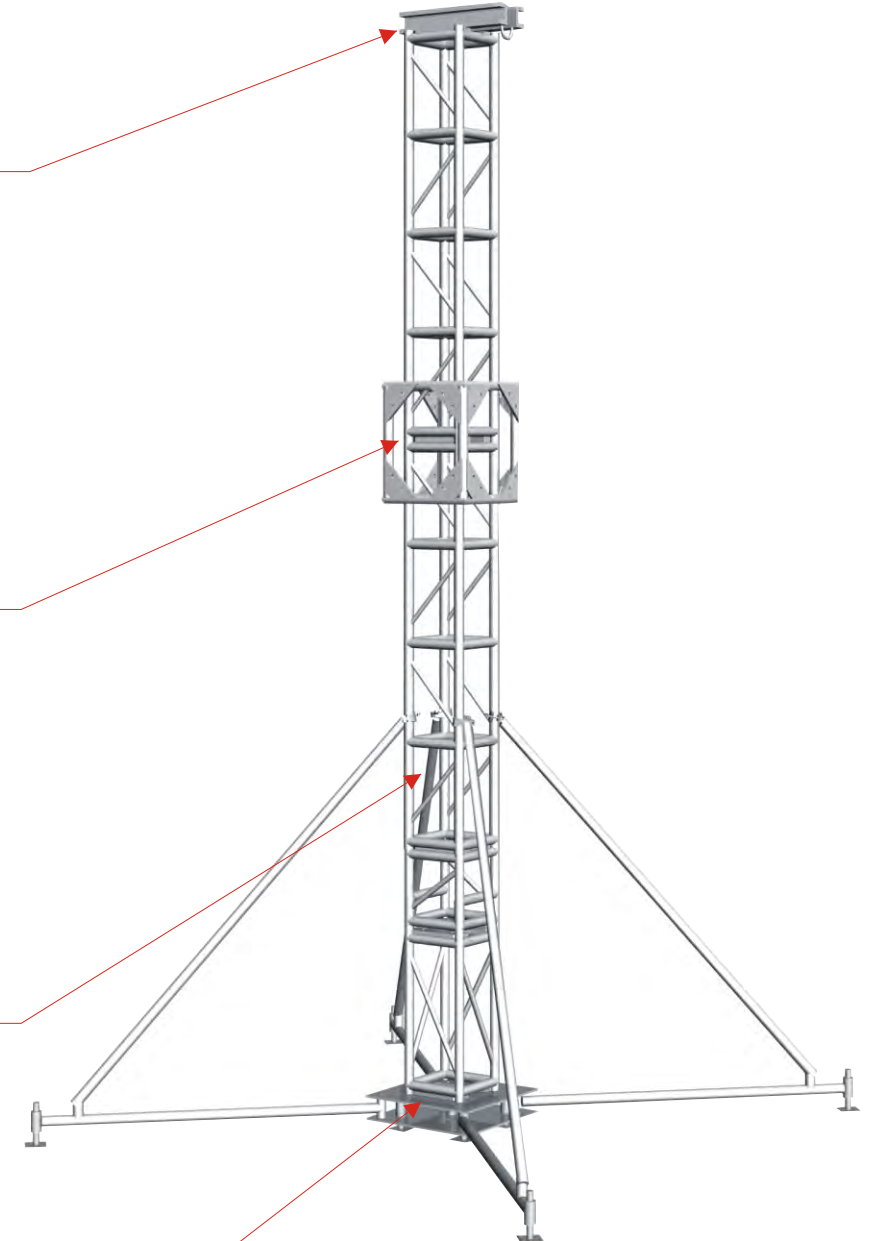
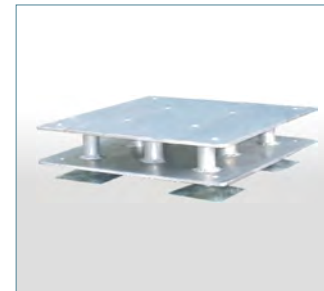
TSA0020 铝板方套
SLEEVE BLOCK



斜支撑 反头
HINGE SECTION



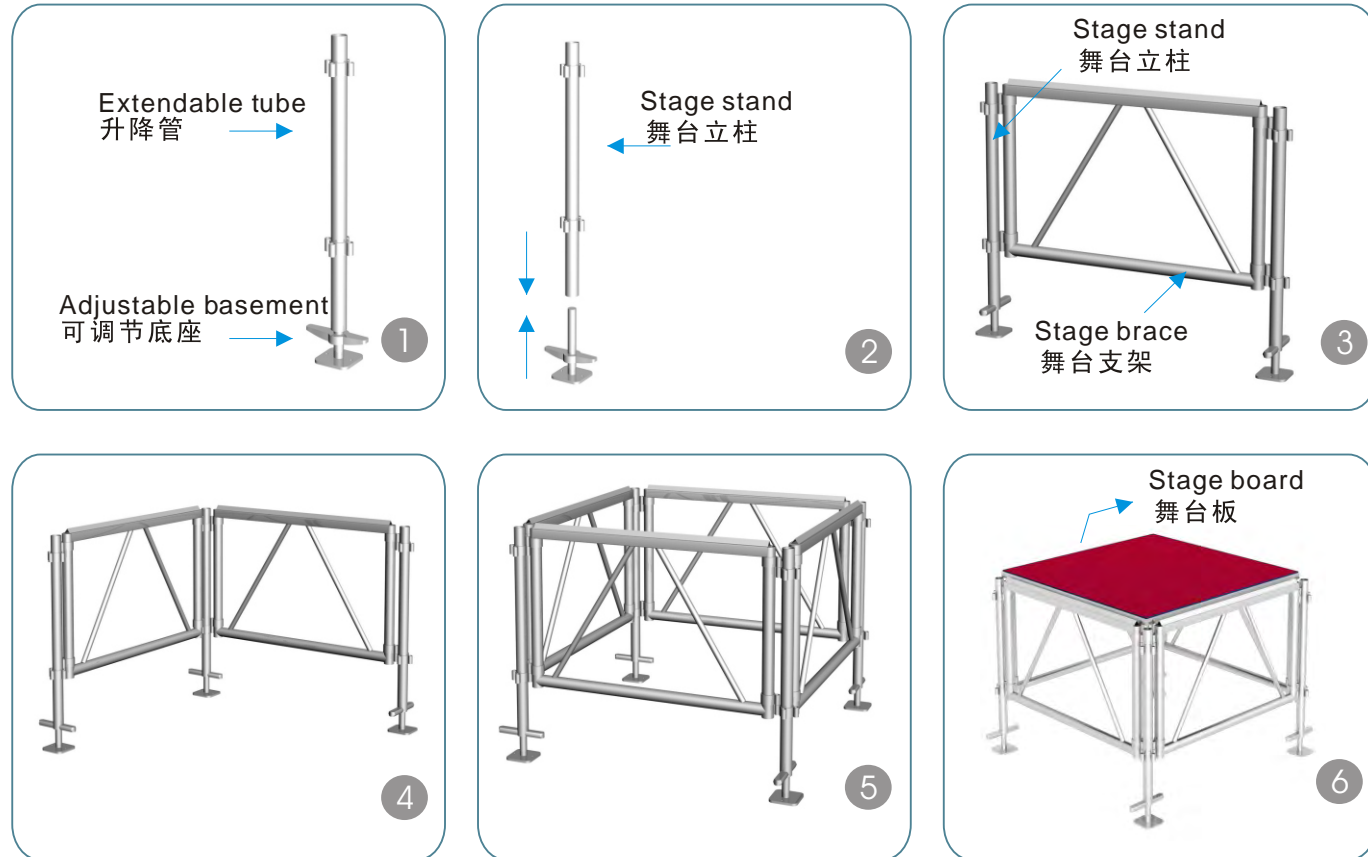
TSA0040 铝质底座
ALUMINIUM BASEMENT



I Stage 铝合金组合舞台

► YJ001 铝质舞台图解

YJ001-plywood aluminium stage

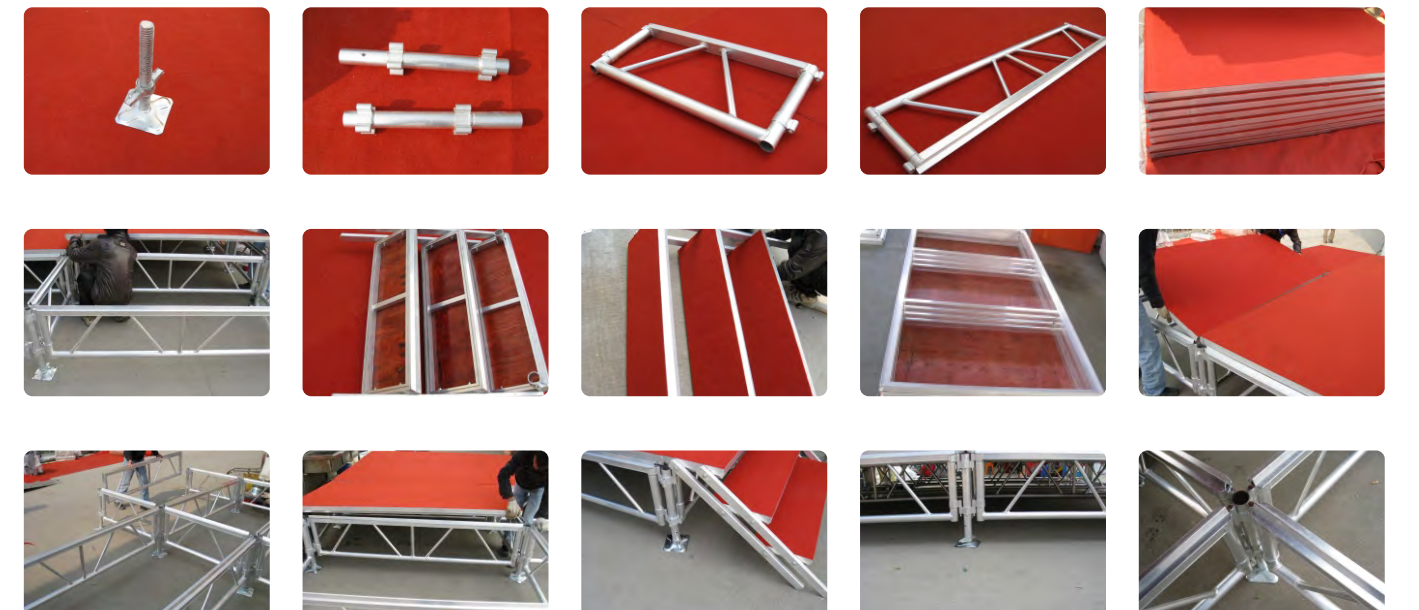
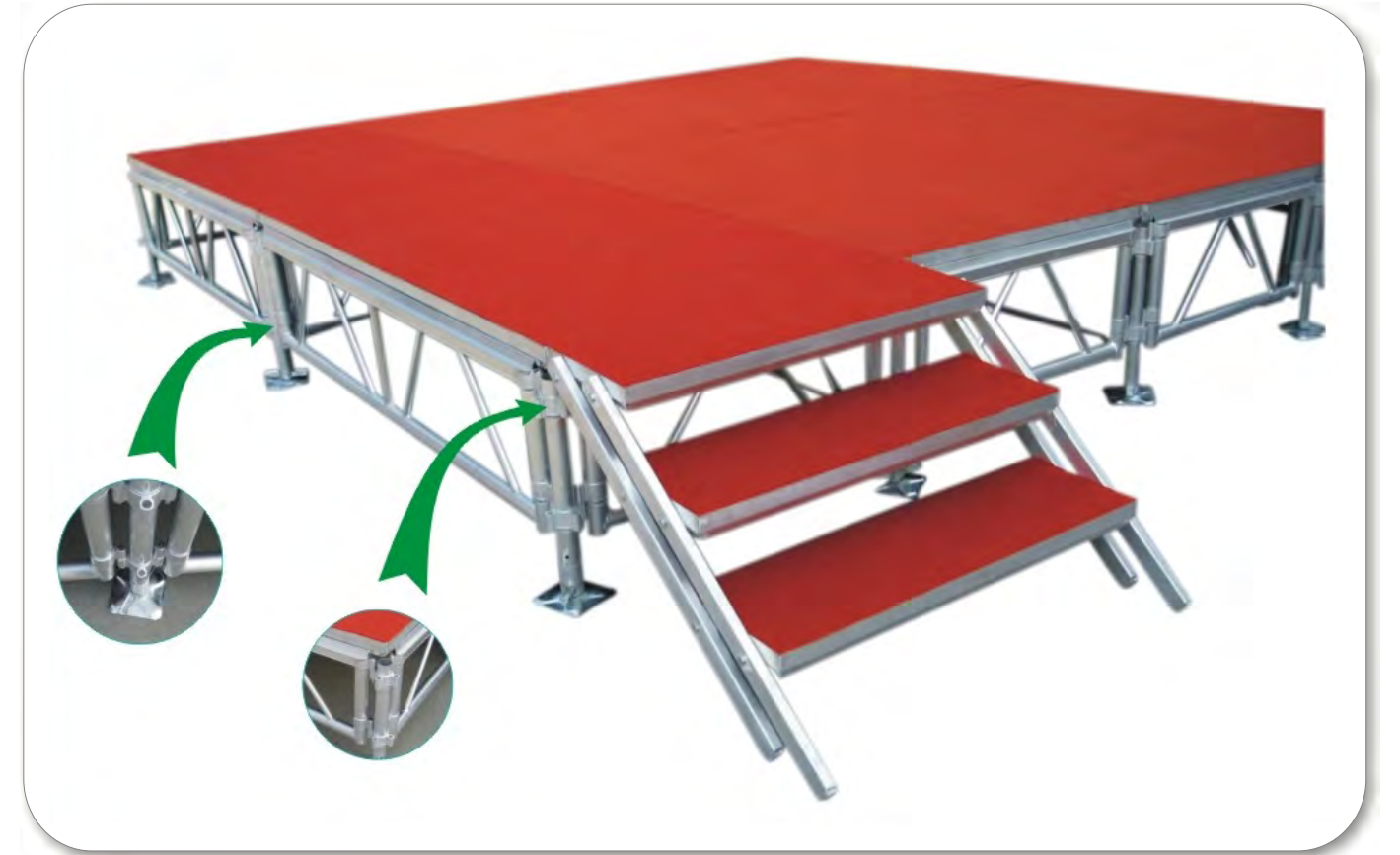


► 玻璃舞台

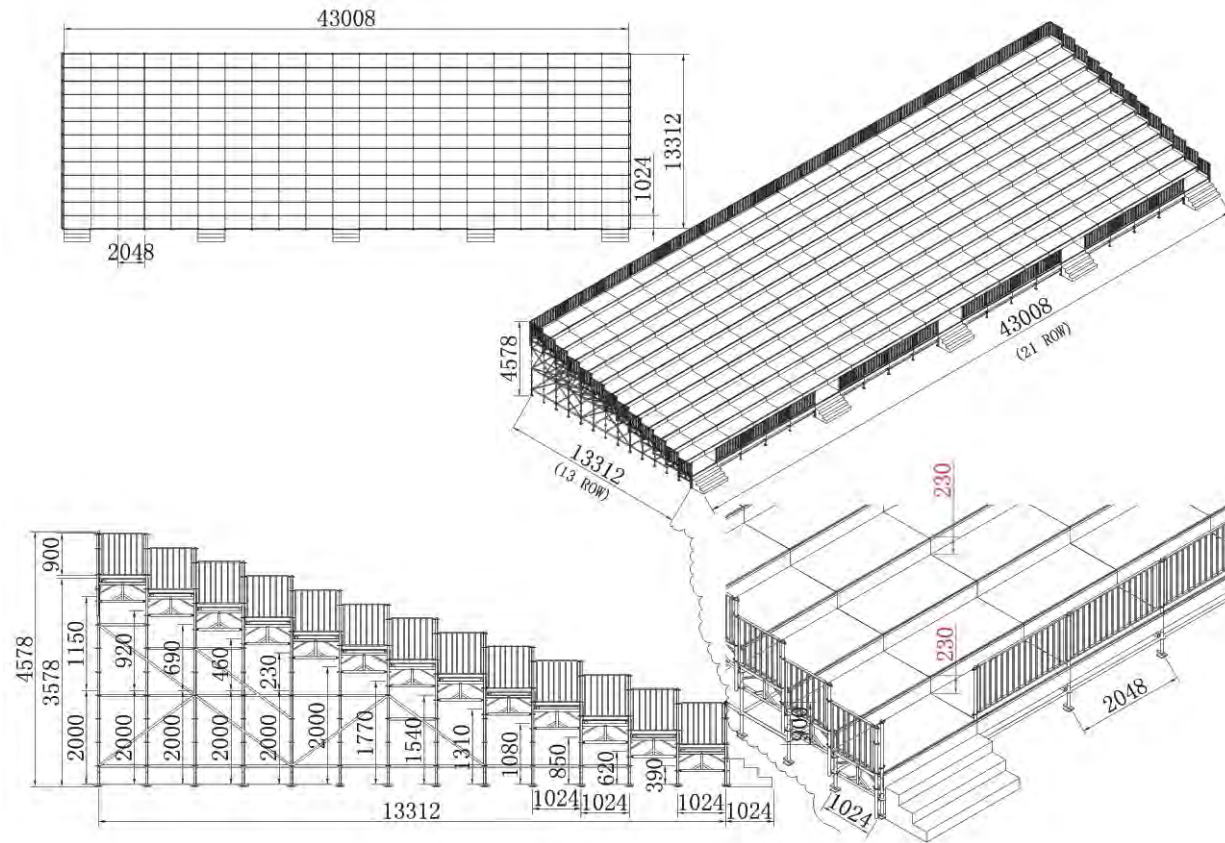
Glass stage



I Stage 铝合金组合舞台

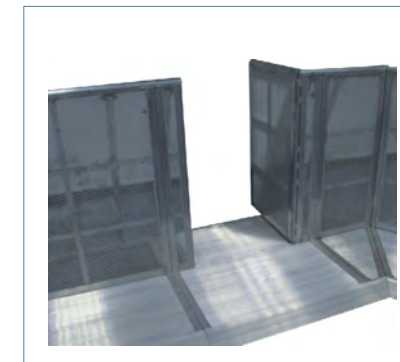


I Combined truss bleachers 网架看台 |



I Audience Isolation Guardrail 观众隔离护栏 |

在演出过程中所有的观众总是喜欢往前面挤特别是对演员的安全又很大危险性靠人员来维持秩序很难。这款观众隔离护栏可有效的把观众与舞台及把外界与演出现场隔离减少意外发生。
All the audience always like in the front of the crowded when in the process of the performance, It will be caused great risk to actor security and difficult to rely on personnel to maintain order, this type of audience isolation guardrail can effectively the audience and the stage and the outside and the isolation performance to reduce accidents.



| Projects 工程案例 |



| Projects 工程案例 |

